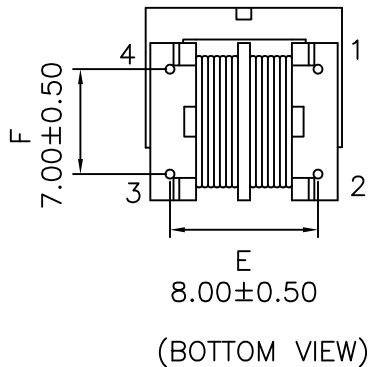
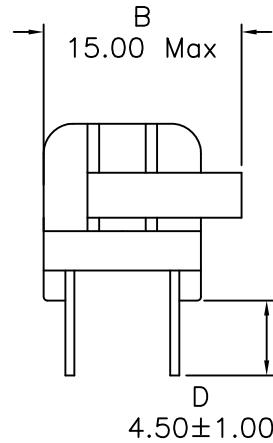
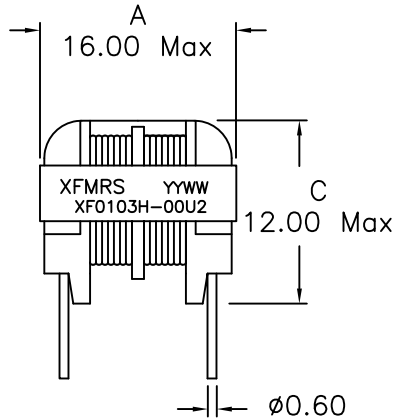


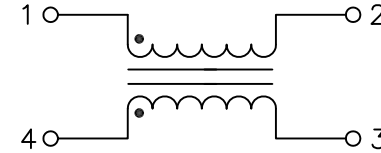
1. Dimensions:



Notes:

1. Solderability: Leads shall meet MIL-STD-202G, Method 208H for solderability.
2. Flammability: UL94V-0
3. ASTM oxygen index: > 28%
4. Insulation System: Class F 155°C. UL file E151556
5. Operating Temperature Range: All listed parameters are to be within tolerance from -40°C to +85°C
6. Storage Temperature Range: -55°C to +125°C
7. Aqueous wash compatible
8. Electrical and mechanical specifications 100% tested
9. RoHS Compliant Component

2. Schematic:



3. Electrical Specifications:

TURN RATIO: (PIN1-2) : (PIN4-3) = 1:1±1%

INDUCTANCE: 10mH Min. @10KHz 0.1V

PIN1-2, PIN4-3 DC Resistance: 1.750 ohms Max.

Rated Current: 0.450Arms

HIPOT: 2000VAC (PIN1-2 TO PIN4-3)

HIPOT: 2000VAC (Windings to Core)

Rated Voltage: 250VAC Max

DOC. REV: A/4

PROPRIETARY

Document is the property of XFMRS Group & is not allowed to be duplicated without authorization.

| | | | |
|----------------------------------------------------------------------------------------------------------------|--------------------------|-----|-----------|
| XFMRS Inc UNLESS OTHERWISE SPECIFIED TOLERANCES: .xx ±0.30 Dimensions in MM SHEET 1 OF 1 | Title: COMMON MODE CHOKE | | |
| | P/N: XF0103H-00U2 | | REV. A |
| | DWN. | 李小锋 | May-15-15 |
| | CHK. | 廖玉坤 | May-15-15 |
| | APP. | BSJ | May-15-15 |